

VAPOUR PROOF LINEAR

CTVPROOF-1500-CW-57



KEY SPECIFICATIONS

57W
POWER

5YR*
WARRANTY

EPISTAR
LED's inside

IP65

6840
LUMENS

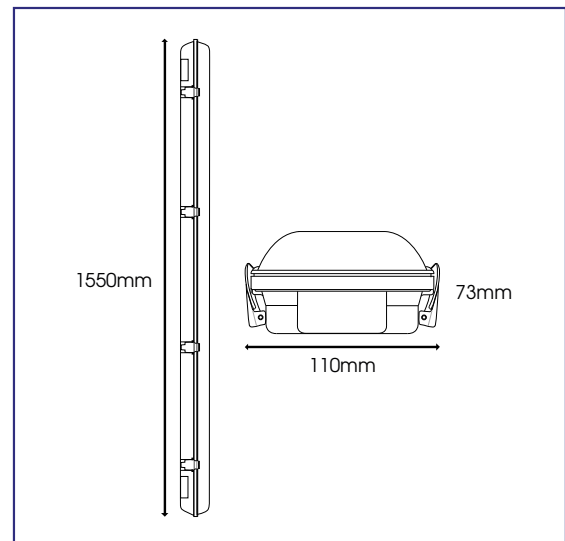
TRIDONIC
Driver as Standard



Specification	Vapour Proof 57W
System Power	57W
LED Chipset	Epistar
Driver Manufacturer	Tridonic
Colour Rendering Index	>85
Lumen Output	6840Lm
LED Efficacy	120 Lm/cW
Dimmable	Contact Office
Power Factor	0.958
IP Rating	IP65
Beam Spread	120 °
Colour Temperature	6000K
Housing Material	Polycarbonate
Diffuser Type	Polycarbonate
Input Voltage	AC200-240V, 47-63Hz
Operating Temperature	-20 to 55 °C
Dimensions	1550mm x 110mm x 73mm
MacAdam Step	2.8
Lifetime	50,000 hours, L70-B10 (Ta 25 °C)

* Warranty terms and conditions apply

TECHNICAL DRAWINGS



LUMINOUS INTENSITY DISTRIBUTION DIAGRAM

